



Truth Hardware’s “stealth” lock has its housing hidden inside the sash for the ultimate in low profile locking systems.

- The fasteners are installed from the front face of the locks’ base and keeper, thereby eliminating everything except the handle from view.
- Totally concealed locking mechanism helps protect moving parts from dust and dirt from accumulating.

WARRANTY:

Protected under the terms of the “Truth Warranty for Window & Door Manufacturers & Authorized Distributors”. Refer to Truth’s Terms & Conditions for further details.

FINISH: Electrostatically applied, durable coatings that provide excellent resistance to chipping, scratching and corrosion while maintaining color stability for years in direct sunlight. Please refer to Truth’s Color Chart for examples of Truth’s most popular finish options. Truth also offers a wide range of decorative “plated” finishes – contact Truth for additional information on availability of these finishes on specific product lines.

MATERIAL: High pressure, corrosion-resistant, die-cast zinc.

RECOMMENDED SCREWS:

Refer to drawings for complete information on screw type and quantity needed (sold separately).

ORDERING INFORMATION:

1. Order 9900 Series Sash Lock
2. Select keeper style needed (order by item number)
3. Specify finish choice.

TRUTH TIPS:

1. When two locks are used on one window, the placement of each lock, with respect to its keeper, becomes very critical to maintain a constant weatherseal on all sides of the window and to insure that each lock engages properly with its keeper.



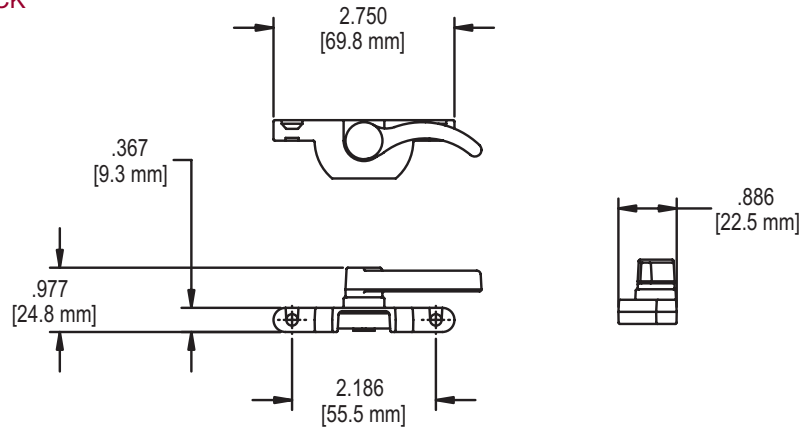
INCLUDE TRUTH SPECS ON YOUR NEXT WINDOW PROJECT

Window check rail locks shall be included which will increase both security and weather seal tightness. The lock must provide easy operation and positive locked feel, while being low in profile to improve the windows appearance.

Window check rail locks will be of internal cam design to provide optimum pull-in to aid in sealing the meeting rails. The lock and keeper shall be constructed of high pressure zinc alloy die castings.

Window locks shall be 9900 Series Sash Lock as manufactured by Truth Hardware.

FIG. 1 A09900402XX SASH LOCK

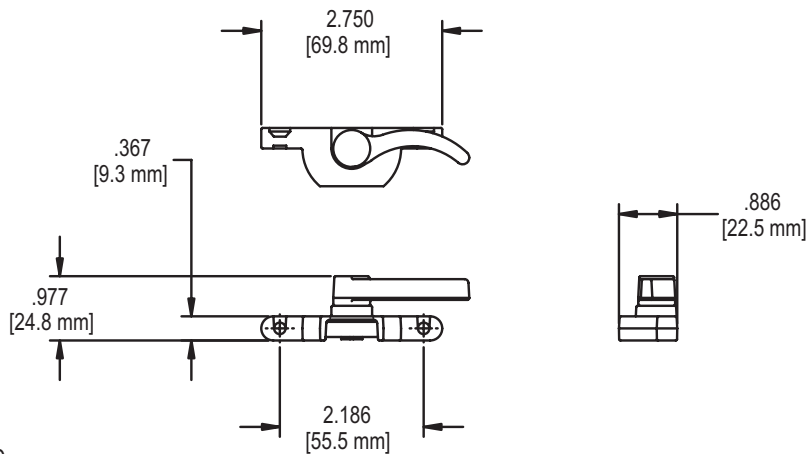


RECOMMENDED SCREWS:

(QTY 2) #6 PHILLIPS FLAT HEAD
SCREWS (LENGTH AND THREAD TYPE
TO BE DETERMINED BY PROFILE

AVAILABLE KEEPER
C09391
C09906
C09703

FIG. 2 A09900403XX SASH LOCK

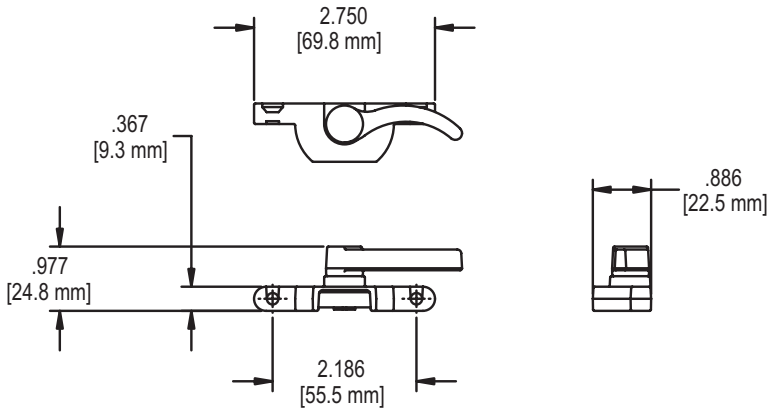


RECOMMENDED SCREWS:

(QTY 2) #6 PHILLIPS FLAT HEAD
SCREWS (LENGTH AND THREAD TYPE
TO BE DETERMINED BY PROFILE

AVAILABLE KEEPER
C09391
C09906
C09703

FIG. 3 A09900404XX SASH LOCK

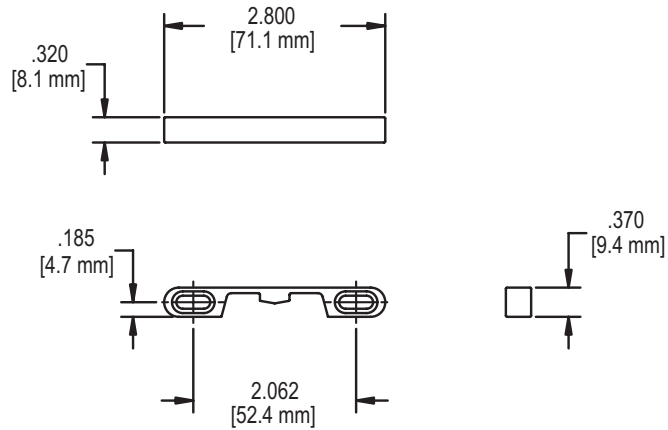


RECOMMENDED SCREWS:

(QTY 2) #6 PHILLIPS FLAT HEAD
SCREWS (LENGTH AND THREAD TYPE
TO BE DETERMINED BY PROFILE

AVAILABLE KEEPER
C09391
C09906
C09703

FIG. 4 9391 KEEPER

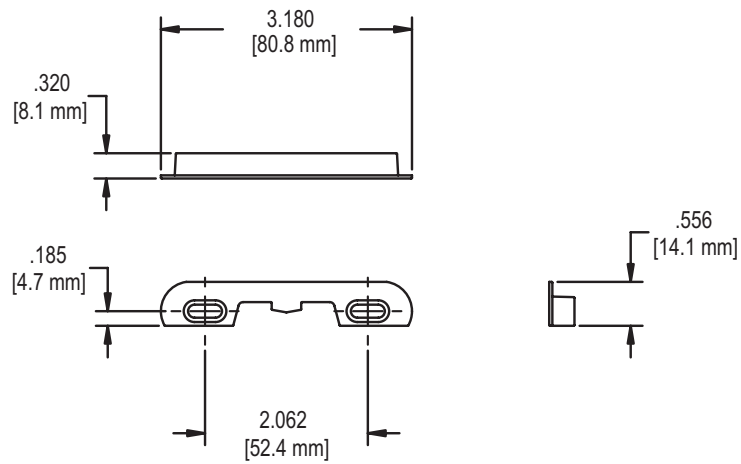


RECOMMENDED SCREWS:

(QTY 2) #6 PHILLIPS FLAT HEAD SCREWS (LENGTH AND THREAD TYPE TO BE DETERMINED BY PROFILE)

AVAILABLE LOCKS
A09900402
A09900403
A09900404

FIG. 5 9703 KEEPER

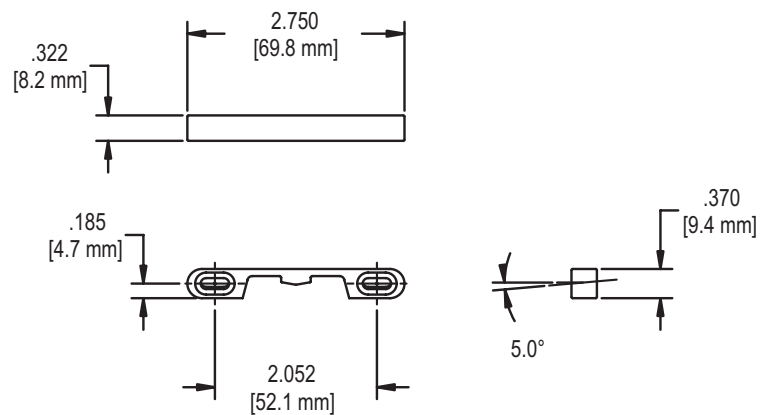


RECOMMENDED SCREWS:

(QTY 2) #6 PHILLIPS FLAT HEAD SCREWS (LENGTH AND THREAD TYPE TO BE DETERMINED BY PROFILE)

AVAILABLE LOCKS
A09900402
A09900403
A09900404

FIG. 6 9906 KEEPER



RECOMMENDED SCREWS:

(QTY 2) #6 PHILLIPS FLAT HEAD SCREWS (LENGTH AND THREAD TYPE TO BE DETERMINED BY PROFILE)

AVAILABLE LOCKS
A09900402
A09900403
A09900404

