



Finally, no fasteners required! Instead of using fasteners (screws) to mount the lock and keeper to the sash, you can now simply “snap” them in. Just imagine the advantages that you will realize:

- Save labor costs in assembly by as much as 50%.
- Eliminate the cost of four screws per assembly.
- Eliminate the carrying cost of inventory on screws.
- Eliminate unsightly fasteners on the window.

There’s more:

- Two cam versions are available - one which has an extended reach-out for help in pulling in the sash that is farther away from the lock.
- Two Keeper styles - face mount (#C30206) and a “quick-snap” surface mount (#C09854).

LOGO OPTIONS: For that “personalized touch”, Truth’s 9850 Series “Quick-Snap” Locks are capable of accepting your company’s name or logo. Truth’s logo reproduction process is an attractive way of highlighting your company signature.

WARRANTY:

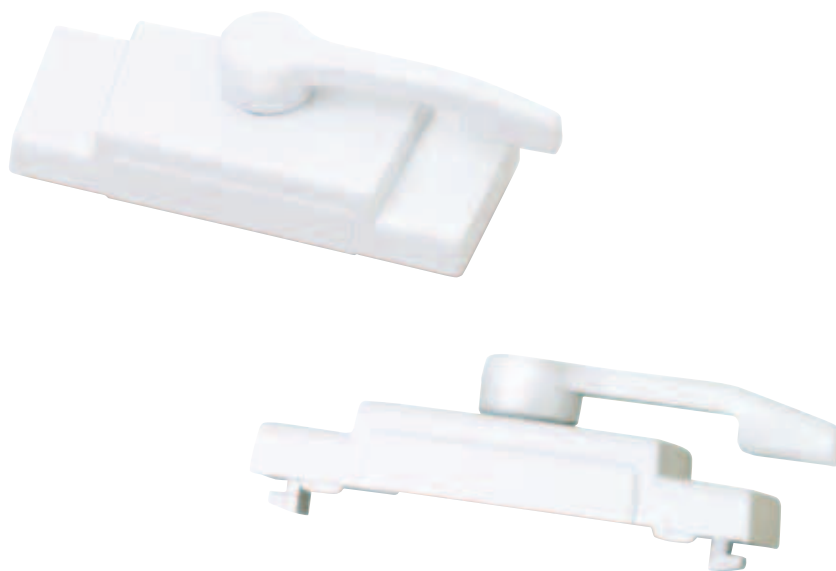
Protected under the terms of the “Truth Warranty for Window & Door Manufacturers & Authorized Distributors”. Refer to Truth’s Terms & Conditions for further details.

MATERIAL: High-pressure, corrosion-resistant, die-cast zinc.

FINISH: Electrostatically applied, durable coatings that provide excellent resistance to chipping, scratching and corrosion while maintaining color stability for years in direct sunlight. Please refer to Truth’s Color Chart for examples of Truth’s most popular finish options. Truth also offers a wide range of decorative “plated” finishes – contact Truth for additional information on availability of these finishes on specific product lines.

ORDERING INFORMATION:

1. Order the 9850 Lock that you want (see table for available options).



2. Select keeper style needed (order by part number).
3. Specify finish choice.

RECOMMENDED SCREWS:

Only required for face-mount keeper applications. Types of screws required determined by material of profile used (sold separately). For additional information on screw selection - see Truth Tips.

TRUTH TIPS:

1. A lock with a small cam should be used when the larger sweep radius of the .125” (3.2 mm) pull-in cam causes interference with the glazing or other areas of the profile. A face-mounted keeper is usually required.
2. When two locks are used on one window, the placement of each lock, with respect to its keeper, becomes very critical to maintain a constant weatherseal on all sides of the window and to insure that each lock engages properly with its keeper.
3. For vinyl window applications, mounting screws should pass through two PVC walls, or one PVC wall and one insert wall. For this reason, it may be necessary to use a longer screw than is recommended.
4. For metal window profiles, Truth recommends stainless steel machine screws. However, in most

applications, stainless steel sheet metal screws will provide adequate holding power.

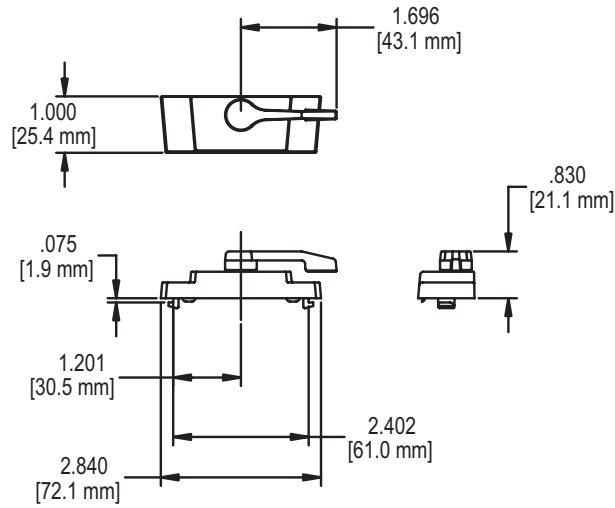
INCLUDE TRUTH SPECS ON YOUR NEXT WINDOW PROJECT

Window check rail locks shall be included which will increase both security and weather seal tightness. The lock shall snap-in to the window without the use of fasteners. The lock must provide easy operation and positive locked feel.

Window check rail locks will be of internal cam design to aid in sealing the meeting rails. The lock and accompanying keeper will prevent misalignment during locking. The lock and keeper shall be constructed of high pressure zinc alloy die castings.

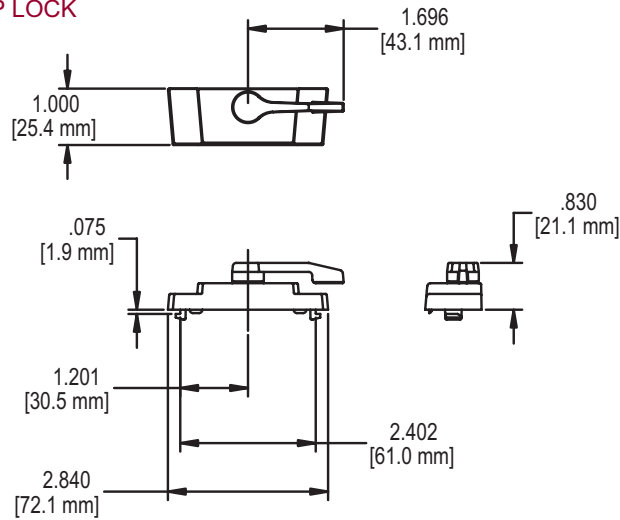
Window locks shall be 9850 Series “Quick-Snap” Locks as manufactured by Truth Hardware Corporation.

FIG. 1 A09850400XX QUICK-SNAP LOCK



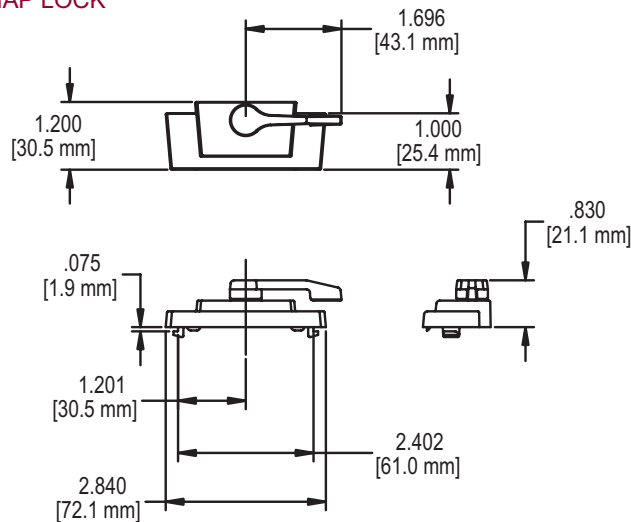
AVAILABLE KEEPER
C09854
C030206

FIG. 2 A09850401XX QUICK-SNAP LOCK



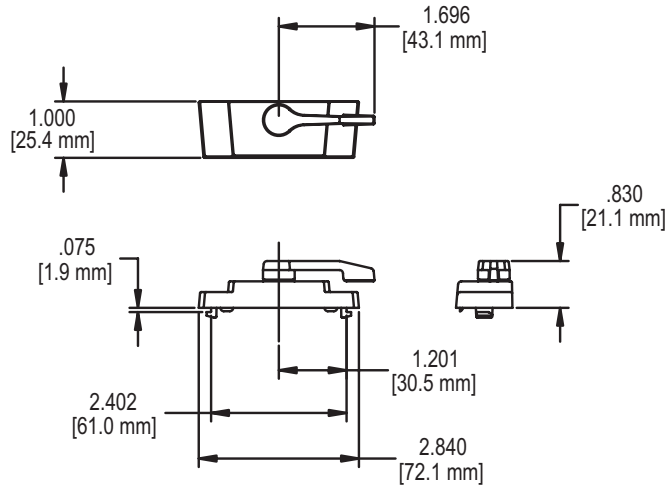
AVAILABLE KEEPER
C09854
C030206

FIG. 3 A09850409XX QUICK-SNAP LOCK



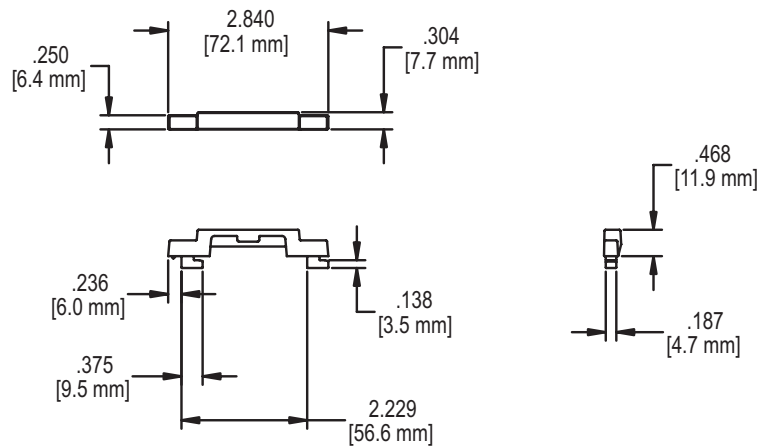
AVAILABLE KEEPER
C09854
C030206

FIG. 4 A09850450XX QUICK-SNAP LOCK



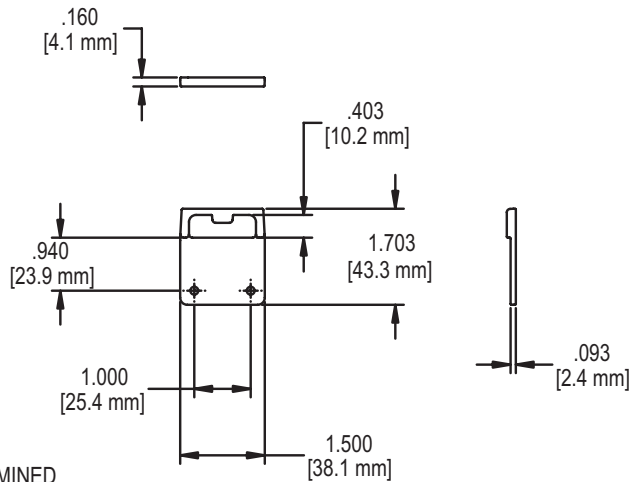
AVAILABLE KEEPER
C09854XX
C30206XX

FIG. 5 C09854XX QUICK-SNAP KEEPER



AVAILABLE LOCK
A09850409
A09850401
A09850440
A09850450

FIG. 6 30206XX KEEPER



AVAILABLE LOCK
A09850409
A09850401
A09850440
A09850450

RECOMMENDED SCREWS:

(QTY 2) #6 PHILLIPS FLAT HEAD SCREW
(LENGTH AND THREAD TYPE TO BE DETERMINED
BY PROFILE)

