



Designed for use on slider and single/double-hung windows, the EntryGard® and EntryGard II Cam Lock's concealed locking mechanisms help protect moving parts from dust and dirt for added lock life while producing a better seal of the sash at the head and sill. The internal cam eliminates paint abrasions and produces a .125" (3.2 mm) pull-in with a .156" (4.0 mm) lifting ability. Air infiltration has been substantially reduced by pulling the meeting rails tightly together.

**ENTRYGARD® II**

The EntryGard II Check Rail Lock features a sleek and stylish new handle design, and has been designed such that the lock's back plate could be eliminated without compromising the strength or performance of this product. An improved detent in the handle motion of the EntryGard II, assures the user that the cam is either fully open or closed.

**ENTRYGARD® SNAP-BACK LOCK**

This double hung/slider lock has the ability to retract the cam when the handle motion is within approximately 30 degrees of the open position. The spring action of the handle and the cam will eliminate exposing the cam when in the partially open position, thus avoiding interference with divided light grilles and/or crashing on the top rail.

These locks are available with or without alignment lugs. These lugs have been designed to help prevent shifting of the rails during locking for an enhanced window seal. Spring action holds handle in locked or unlocked position to prevent damage to windows.

**SECURITY & RELIABILITY:**

The pick-resistant design of this lock helps you exceed the load requirements for AAMA 1302.5 Forced Entry Resistance Test, the California Model Building Security Ordinance and ASTM-588 Forced Entry Test.

Additional Keepers for special profile applications are also available - refer to EntryGard Keeper page for further information.

**WARRANTY:** Protected under the terms of the Truth Warranty for Window & Door Manufacturers & Authorized Distributors. Refer to Truth's Terms & Conditions for further details.



**LOGO OPTIONS:** For that "personalized touch", Truth's EntryGard Check Rail Locks are capable of accepting your company's name or logo. Truth's unique custom print logo reproduction processes is an attractive way of highlighting your company signature. For further details on where your company's logo would appear, please refer to the following drawings.

**MATERIAL:** High-pressure, corrosion resistant, die-cast zinc.

**FINISH:** Electrostatically applied, durable coatings that provide excellent resistance to chipping, scratching and corrosion while maintaining color stability for years in direct sunlight. Please refer to Truth's Color Chart for examples of Truth's most popular finish options. Truth also offers a wide range of decorative "plated" finishes – contact Truth for additional information on availability of these finishes on specific product lines.

**ORDERING INFORMATION:**

1. Choose cam lock style desired (see table below).
2. Specify finish number.
3. Select mounting hardware required (sold separately): For Keeper styles - see EntryGard Keeper section.

**RECOMMENDED SCREWS:**

Types of screws required determined by material of profile used. Refer to drawings for complete information on screw type and quantity needed (sold separately). For additional information regarding screw selection, refer to EntryGard® Keeper catalog page for styles and part numbers.

**TRUTH TIPS:**

1. A lock with pick-resistant alignment lugs should be used whenever possible.

A lock without lugs should be chosen when the lugs cause interference with divided light grilles or other window features.

2. When two locks are used on one window, the placement of each lock, with respect to its keeper, becomes very critical to maintain a constant weatherseal on all sides of the window and to insure that each lock engages properly with its keeper.

3. For accurate hardware placement in vinyl or metal applications, pre-drilling of the window profile is recommended.

4. For vinyl window applications, mounting screws should pass through two PVC walls, or one PVC wall and one insert wall. For this reason, it may be necessary to use a longer screw than is recommended.

5. For metal window profiles, Truth recommends stainless steel machine screws. However, in most applications, stainless steel sheet metal screws will provide adequate holding power.

**INCLUDE TRUTH SPECS ON YOUR NEXT WINDOW PROJECT**

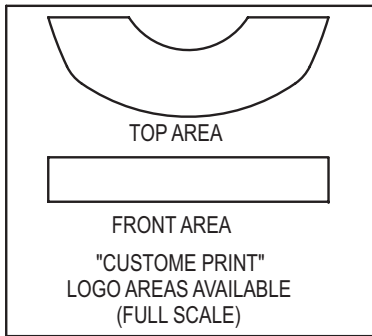
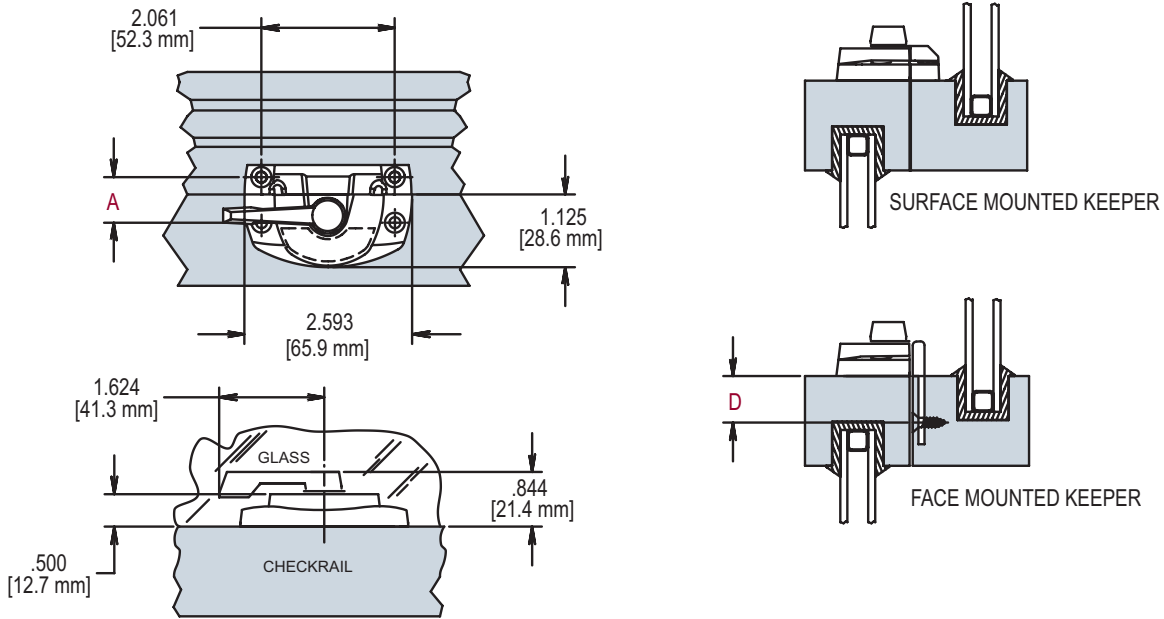
Window check rail locks shall be included which will increase both security and weather seal tightness. The lock must provide easy operation and positive locked feel (detent).

Window check rail locks will be of internal cam design to provide .125" (3.2 mm) of pull-in to aid in sealing the meeting rails. The lock and accompanying keeper will prevent misalignment during locking. The lock and keeper shall be constructed of high pressure zinc alloy die castings.

Window locks shall be 17 series EntryGard® as manufactured by Truth Hardware, Owatonna, Minnesota.

# 17 ENTRYGARD® II CAM LOCK

FIG. 1 APPLICATION OF TRUTH ENTRYGARD AND ENTRYGARD II CHECK RAIL LOCK

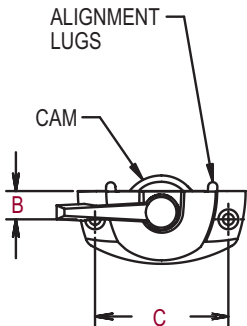


**RECOMMENDED SCREWS:**

WOOD: (QTY 2) (P/N 19050) #7 X .750 PHILLIPS, FLAT HEAD, SHEET METAL SCREWS.

PVC/METAL: (QTY 2) #7 PHILLIPS, FLAT HEAD SCREWS (LENGTH AND THREAD TYPE TO BE DETERMINED BY PROFILE)

FIG. 2 ENTRYGARD AND ENTRYGARD II CHECK RAIL LOCKS



NOTE:  
ALL LOCKS HAVE  
.125 PULL-IN.

PRODUCT NUMBER	B	C	WITH LUGS	WITHOUT LUGS	TYPE	SPECIAL FEATURES
17.67	.438 (11.1mm)	2.062 (52.4mm)		X	EG II	
17.68			X		EG II	
17.70				X	EG	SNAP BACK LOCK
17.74			X		EG	SNAP BACK LOCK
17.19			X		EG	
17.23				X	EG	
17.30	.688 (17.5mm)	1.875 (47.6mm)	X		EG	
17.31	.688 (17.5mm)	1.875 (47.6mm)		X	EG	
17.92	.688 (17.5mm)	1.875 (47.6mm)	X		EG II	